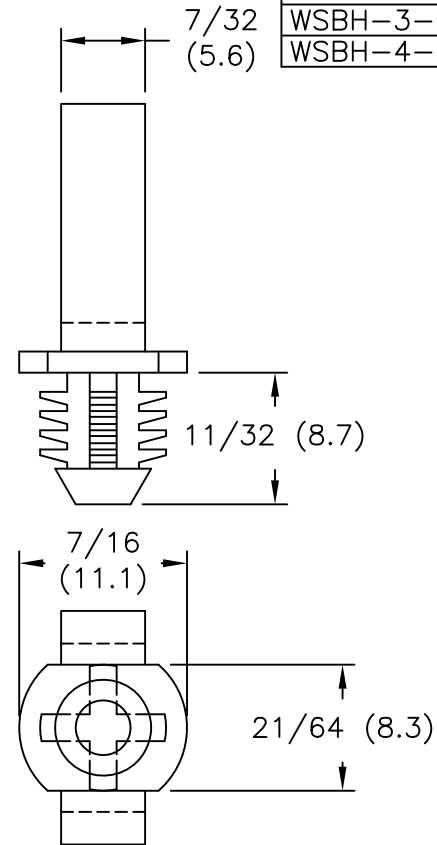
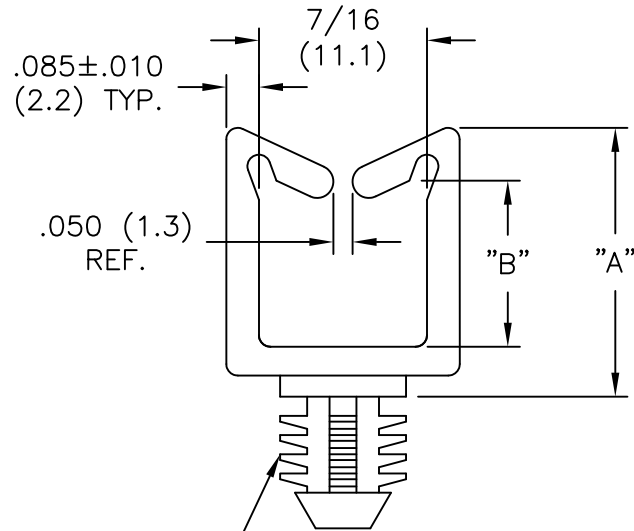


| PART NO.  | "A"<br>REF. | "B"<br>REF. |
|-----------|-------------|-------------|
| WSBH-1-01 | .51 (13.0)  | .23 (5.8)   |
| WSBH-2-01 | .72 (18.3)  | .44 (11.2)  |
| WSBH-3-01 | 1.07 (27.2) | .79 (20.1)  |
| WSBH-4-01 | 1.40 (35.6) | 1.11 (28.2) |



TO PRESS-FIT IN A  $.312 \pm .003$   
( $7.9 \pm 0.08$ ) DIA. HOLE  
IN A  $.25$  (6.4) MIN.  
THICK PANEL

NOTES:

1. MATERIAL: NYLON 66 (RMS-01)  
FLAME RETARDANT, NYLON (RMS-19).  
BY SPECIAL ORDER.
2. COLOR: NATURAL.  
COLOR: BLACK AVAILABLE BY SPECIAL ORDER.

| TITLE: WIRE SADDLE, BLIND HOLE |                           |               | DWG IN IN (mm) |              | FINAL          |      | PRINT TYPE         |           |
|--------------------------------|---------------------------|---------------|----------------|--------------|----------------|------|--------------------|-----------|
| D                              | SEE CO 200244 FOR CHANGES | SK 09.18.08   | FILE #         | WSBH         | DWN:           | P.B  | DT:                | 09-14-94  |
| C                              | SEE ECN #603 FOR CHANGES  | SM 03.21.03   | MAT'L:         | SEE NOTES    | CHKD:          | ENG: | PART #             | SEE TABLE |
| B                              | CHANGED FILE NUMBER       | SM 05.30.01   | RE:            | RICHCO, INC. | RICHCO INC.    |      | ENG@RICHCO-INC.COM | CA        |
| A                              | MAT'L RMS-19 ADDED        | J.L. 12.29.97 |                |              | (773) 539-4060 |      |                    |           |
| REV                            | DESCRIPTION               | ENGR DATE     |                |              |                |      |                    |           |

TOLERANCES  
UNLESS NOTED  
.XX=±.010  
.XXX=±.005  
FRAC=±1/64  
ANG=±1'

